

PRODUCT SPECIFICATIONS

Elkay® Universal Filtration Kit (3000-Gallon). Overall dimensions are 5-1/4" x 5-1/4" x 12-1/2".

Special Features:	Filtered
Dimensions:	5-1/4" x 5-1/4" x 12-1/2"
Shipping Weight:	3 lbs.
Flow Rate:	1.5 GPM (5.6 L/m)
Capacity:	3000 gal. (11356 L)
Temperature:	40-100°F (4-38°C)
Initial Pressure Drop:	2-5 PSI (14-34 kPa)
Maximum Pressure:	105 PSI (724 kPa)
Minimum Pressure:	20 PSI (138 kPa)
Water Inlet:	3/8" (9.5mm) O.D. tube
Water Outlet:	1/4" (6.4mm) O.D. tube

Special Note: For use with Bottle Fillers, Coolers & Fountains.

- Universal filtration kit works with Elkay® and non-Elkay units to turn any non-filtered bottle filling station into a filtered unit
- Filter should be replaced every 3,000 gallons or 1 year after installation; replace sooner if water delivery unit is located in a high-traffic area in places such as schools and airports
- Equipped with quick-disconnect, 1/4-turn installation, as well as automatic inlet shut-off valve that closes when filter is removed
- Designed to reduce lead, particles and chlorine. Also reduces odors and discoloration from incoming water
- Spun polypropylene prefilter mesh to prevent large, coarse sediment and particles from entering and clogging filter media
- Filter is tested and certified to NSF 42 and 53 for lead, Class 1 particulate, chlorine taste and odor reduction
- Kit includes mounting bracket, tubing and connections for installation

KIT INCLUDES

- Filter
- Filter head
- Mounting bracket
- 1/4" polytubing
- 3/8" copper tube
- 1/4" quick connect union
- 1/4" quick connect stem elbow

PART: _____ QTY: _____

PROJECT: _____

CONTACT: _____

DATE: _____

NOTES: _____

APPROVAL: _____



Included with Product: 3000 gallon filter, kit components

A Century of Tradition and Quality.

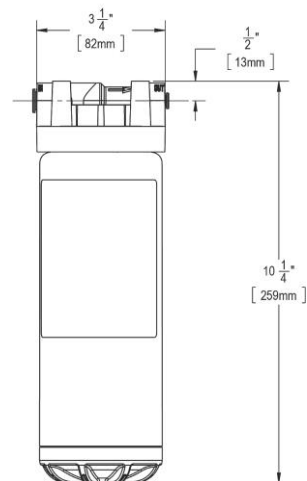
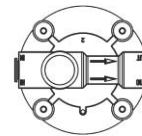
For more than 100 years, Elkay has been making innovative products and providing exceptional customer care. We take pride in offering plumbing products that make life easier, inspire change and leave the world a better place.



Product Compliance: NSF 372 (lead free)
NSF 42
NSF 53



[Installation Instructions \(PDF\) - 98526C](#)



In keeping with our policy of continuing product improvement, Elkay reserves the right to change product specifications without notice. Please visit elkay.com for the most current version of Elkay product specification sheets. This specification describes an Elkay product with design, quality, and functional benefits to the user. When making a comparison of other producers' offerings, be certain these features are not overlooked.